

# bosal

**Инструкция  
по монтажу тягово-сцепного  
устройства шарового типа 3032 А  
для автомобилей  
Toyota Land Cruiser 100 VX  
Lexus LX 470**

: Lexus 470	2003-...
Toyota Landcruiser 100VX	1998/3 -...
	1500
	75
	19,2



462800,

« - »  
.: (35363) 7-05-06  
/ : (35363) 7-13-20  
(495) 785-66-07

[www.bosal-autoflex.ru](http://www.bosal-autoflex.ru)

18

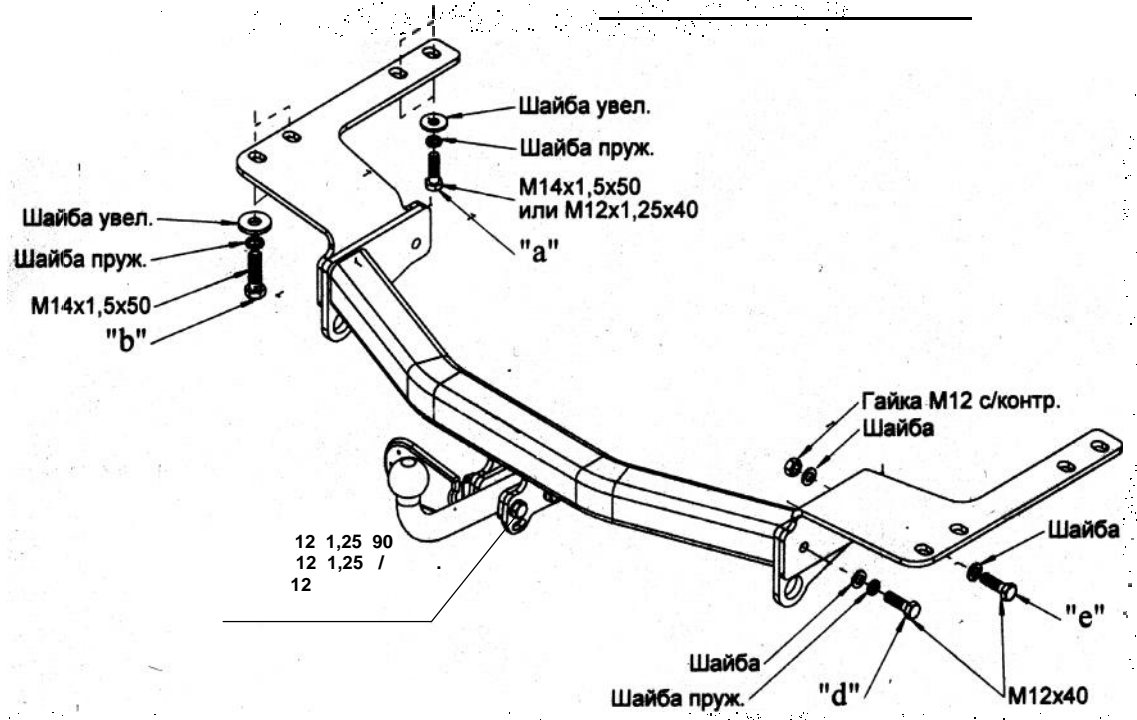
« - »:	" (8182) 22-48-15
"	" 8(8442) 98-74-98
"	" 8(343) 379-39-89, 373-42-73
"	" 8(343) 26-88-308
"	" 8(3952) 710-194
"	" 8(495) 777-54-59
"	" 8(495)745-79-11
"	" 8(495) 788-95-97
"	" 8(495) 720-51-03
"	" 8(3532) 57-99-85
"	" 8-905-899-5012
"	" 8(383) 291-59-60
"	" 8(831) 279-53-24
"	" 8(3422) 98-27-20
"	" 8(342) 220-87-87
"	" 8-927-002-90-06
"	" 8(3462) 24-00-44
"	" 8(3842) 21-14-76
"	" 8-902-940-4151
"	" 8(3452) 32-22-12, 41-52-62
"	" 8-961-213-0278
"	" 8-917-347-1700
"	" 8(351) 269-44-75, 900-72-73
"	" 8(3512) 773-76-91

41.55-2005.

“ ”, “b”,

“d” “ ”,

12 40.



	1
	1
	1
	1
	1

	3
12 1.25x90	2
12 1.25x40	4
12 40	4
14 1.5x50	8
12x1.25 /	2
12 /	2
12 ( )	6
12	10
12	4
14	8
14 ( )	8
VH 0800	1
	2
	1
	1
	1
190	1
	1

1		
2		
3		
4		
5		
6		
7		

