

TOWBAR FOR
CITROEN C4 (3/5D) (2004 - 10/2010)
Peugeot 307 (3/5D) (2001 - 2007)
Peugeot 308 (3/5D) (2007 - 05/2011)
FITTING AND OPERATION MANUAL.

Nr kat. C-026

DESTINATION

Towbar **C-026** for a is designed for towing a trailer. This ball hook has a current certification of approval authorizing the product with **e4** certification sign.

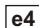
FITTING CONDITIONS

Towbar **C-026** can be used and operated in a car with proper technical conditions of body elements. Those parts cannot be mechanically damaged . The ball hook has to be installed and operated in a car according to this instruction . All bolts and nuts in ball hook have to be screwed down with proper torque (Mo) . Torque values are given below :

M8	-	25 (Nm)	M12	-	85 (Nm)
M10	-	50 (Nm)	M16	-	200 (Nm)

OPERATION CONDITIONS

The towbar **C-026** has a rating plate describing correct and safe loads of the hook :

Typ: C-026 A50-X  00-3143 D = 8,1 kN S = 65 kg R = 1500 kg	Tow bar catalogue number. Tow bar class (compressing device) Tow bar certification of approval number Theoretical related force working on a ball hook Max permissible vertical load of the hook ball Max permissible load of towing trailer
--	---

D - force is calculated using the following formula:

$$D = g \times \frac{T \times R}{T + R} \text{ kN}$$

T-technically permissible maximum mass in tonnes of the towing vehicle (also towing tractors) including, if necessary, the vertical load of a centrale axle trailer.
R-technically permissible maximum mass in tonnes of the full trailer with drawgal free to move in the vertical plane or of the semi-trailer.
g-acceleration due to gravity(assumed as 9,81 m/s²)

During operating individual elements of ball hook should be kept in a proper technical condition and protected from corrosion . The trailer must be linked with an elastic joint with proper durability (cord , chain) while towing .It is necessary to check periodically bolt joints during operating the ball hook. If screws are eased , it is necessary to screw them down .

FITTING

The tow bar **C-026** for is made up of the following elements :

- | | | | |
|---------------------------------|------------|------------------------|------------|
| 1. Towbar mainframe | - 1 piece | 9. Flat washer 13,0 | - 2 pieces |
| 2. Tow ball | - 1 piece | 10. Spring washer 8,2 | - 4 pieces |
| 3. Electrical plate | - 1 piece | 11. Spring washer 10,2 | - 4 pieces |
| 4. Distance sleeve 17,3/ 12,5x9 | - 1 piece | 12. Spring washer 12,2 | - 2 pieces |
| 5. Bolt M8x40 | - 4 pieces | 13. Nut M8 | - 4 pieces |
| 6. Bolt M12x65 | - 2 pieces | 14. Nut M10 | - 4 pieces |
| 7. Special washer 24 8,5x2,5 | - 8 pieces | 15. Nut M12 | - 2 pieces |
| 8. Flat washer 10,5 | - 4 pieces | | |

In order to mount the ball hook **C-026** you have to obey the instruction below:

- 1.Rear bumper cutting is not required.
- 2.Remove the rear bumper from the car.
- 3.Remove 2 bolts M8 from right side of strenghtening and 1 bolt M8 from the left side of strenghtening.
- 4.Put (1) to the bottom of the chassis side members on protruding bolts M10 (factory-made-2 from left side and 2 from right), next attach using (14), (8), (11).
- 5.The holders of (1) must cling to the back strip excepting one hole on the left side, put (4) between the back strip and the holders of (1)-figure below.
- 6.Attach (1) to the back strip using (5), (7), (10), (13).
- 7.Attach the rear bumper to the car.
- 8.Attach (2) to (1) using (6), (9), (12), (15) add (3) on left side of (2) at the same time.
- 9.Check if all fixing bolts and nuts are correctly tightened.

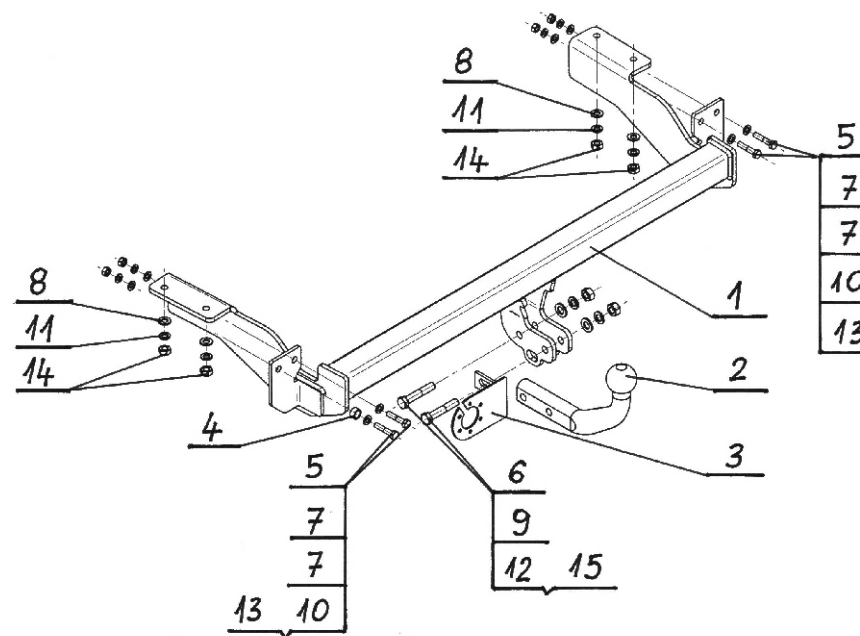
Obeying this instruction assures correct montage and the C-026 tow bar operating.

After assembling of the tow bar **C-026** you have to get entry in cars **registration book**.

CAUTION :

Check if all bolts and nuts are correctly tightened after 1000km. Keep tow ball clean, grease and cased. All mechanical damages of tow bar excludes its further exploitation . Damaged ball hook **cannot be repaired**. In case of braking the rules of montage or unproper usage manufacturer **do not take responsibility** for arised damages .

MONTAGE DIAGRAM :



NOTE :

Bunch of wires is not included (in total price).