

bosal

**Инструкция по монтажу
тягово-цепного устройства
шарового типа 3065 F
для автомобилей
Toyota Hilux (double cup)
Автомобиль с отбойным брусом**

	2008-...
	1500
	75
	14



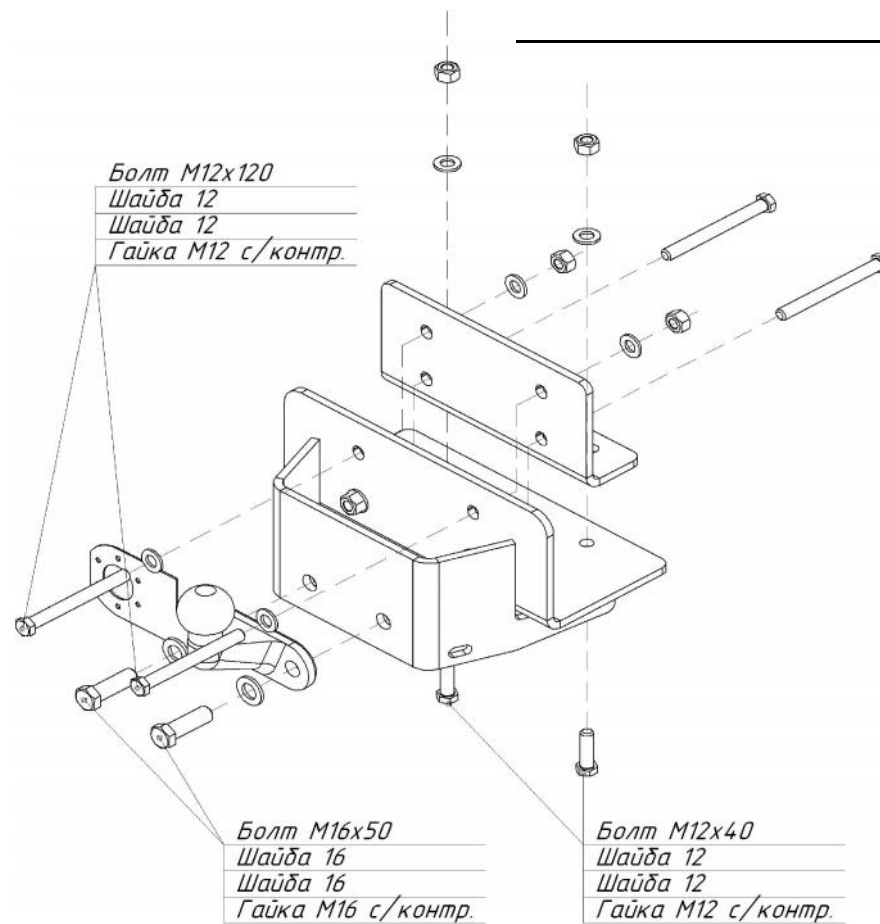
« - »	(8182) 22-48-15
" - "	" 8(8442) 98-74-98
" - "	" 8(343) 379-39-89, 373-42-73
" - "	" 8(343) 26-88-308
" - "	" 8(3952) 710-194
" - "	" 8(495) 777-54-59
" - "	" 8(495) 745-79-11
" - "	" 8(495) 788-95-97
" - "	" 8(495) 720-51-03
" - "	" 8(3532) 57-99-85
" - "	" 8-905-899-5012
" - "	" 8(383) 291-59-60
" - "	" 8(831) 279-53-24
" - "	" 8(3422) 98-27-20
" - "	" 8(342) 220-87-87
" - "	" 8-927-002-90-06
" - "	" 8(3462) 24-00-44
" - "	" 8(3842) 21-14-76
" - "	" 8-902-940-4151
" - "	" 8(3452) 32-22-12, 41-52-62
" - "	" 8-961-213-0278
" - "	" 8-917-347-1700
" - "	" 8(351) 269-44-75, 900-72-73
" - "	" 8(3512) 773-76-91

462800,

« - »
18
: (35363) 7-05-06
/ : (35363) 7-13-20
(495) 785-66-07
www.bosal-autoflex.ru

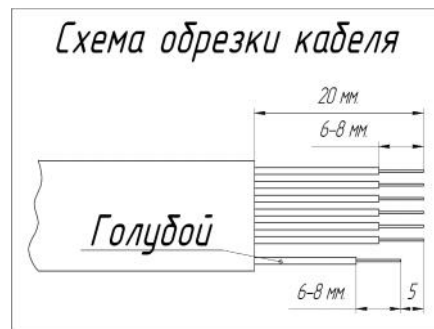
.....
.....	VIN
.....
.....
.....

41.55-2005.



1			
2			
3			
4			
5			
6			
7			

	1 .
	1 .



12 40	2 .
12 120	4 .
16 50	2 .
12 / .	6 .
16 / .	2 .
12	12 .
16	4 .
F	1 .
	1 .
	1 .
(1)	1 .
	1 .